

LIGHTING FIXTURES FOR FLUORESCENT TUBE LAMPS

Explosion Proof Electrical Equipment



Ex Lighting

EVF

Installation: hazardous areas - Zone 1 / 2 (Gases) - Zone 21 / 22 (Dusts)
Classification: Group II - Category 2G 2D

EVF



LIGHTING FIXTURES			
	ATEX 94/9/EC	GOST-R (RTR / RTN)	GOST-K
EXECUTION	⊕ II 2 G Ex d IIC T5/T4 ⊕ II 2 D Ex tD A21 T100°C / T135°C	1Ex d IIC T5/T4 DIP A21 Ta (100...135)°C	1Ex d IIC T5/T4 DIP A21 Ta (100...135)°C
INSTALLATION	ZONE 1 / 2 - ZONE 21 / 22	ZONE 1 / 2 - ZONE 21 / 22	ZONE 1 / 2 - ZONE 21 / 22
PROTECTION DEGREE	IP66	IP66	IP66
CERTIFICATE REF.	ISSEP 02 ATEX 043	POCC IT. ГБ05.В02536	No. 07/43-269
RULES OF COMPLIANCE	EN 60079-0; EN 60079-1; EN 61241-1	ГОСТ P 51330.9-99 (МЭК 60079-10-95) ГОСТ P 51330.13-99 (МЭК 60079-14-96) ГОСТ P МЭК 61241-3-99	ГОСТ P 51330.0 / 1 / 8 / 14-99 ГОСТ P МЭК 61241-1-1-2002
EMERGENCY UNIT			
	ATEX 94/9/EC	GOST-R (RTR / RTN)	GOST-K
EXECUTION	⊕ II 2 G Ex d IIC T6 ⊕ II 2 D Ex d tD A21 T85°C	1Ex d IIC T6 DIP A21 Ta T85°C	1Ex d IIC T6 DIP A21 Ta T85°C
INSTALLATION	ZONA 1 / 2 - ZONA 21 / 22	ZONA 1 / 2 - ZONA 21 / 22	ZONA 1 / 2 - ZONA 21 / 22
PROTECTION DEGREE	IP66	IP66	IP66
CERTIFICATE REF.	INERIS 08 ATEX 018	POCC IT. ГБ05.В02537	No. 07/43-269
RULES OF COMPLIANCE	EN 60079-0; EN 60079-1; EN 61241-0; EN 61241-1;	ГОСТ P 51330.9-99 (МЭК 60079-0-98); ГОСТ P 51330.1-99 (МЭК 60079-1-98); ГОСТ P 51330.8-99; ГОСТ P МЭК 61241-1-1-99	ГОСТ P 51330.0 / 1 / 8 / 14-99 ГОСТ P МЭК 61241-1-1-2002

Mechanical characteristics

Body	marine grade copper free aluminium (control gear & emergency unit)
Tubes	high-temperature resistant borosilicate glass tube
Painting	external epoxy powders grey RAL-9006 colour
Screws	external stainless steel
Gaskets	nbr rubber
Reflectors	white stove enamelled sheet steel
Cable entry	3/4" NPT size threaded

Electrical characteristics

Power supply	electronic ballast 110÷260V AC/DC 50/60 Hz (p.f.corrected - cos ϕ \geq 0,98)
Lampholders	bi-pin G13 cap
Internal wiring	high-temperature resistant silicon rubber insulation cables
Emergency unit	emergency unit composed of inverter charger and ni-cd battery pack 4A/h 6V. autonomy from 60 to 120min. Led power-on indicating lamp provided

ON REQUEST ACCESSORIES:

- Pole mounting kit complete with stainless steel hardware
- Ceiling mounting kit complete with stainless steel hardware
- Pendant mounting kit complete with stainless steel hardware
- Wall/Structure mounting kit complete with stainless steel hardware
- Galvanized steel wire protection guard
- Stainless steel wire protection guard
- Stainless steel reflectors
- External painting colour on request
- Electronic ballast with voltage supply different than standard
- Ni-Cd Battery pack 7A/h 6V for Emergency Unit with Autonomy more than 150min

EVF Technical data

EVF

CODE	LAMP	TEMPERATURE CLASS (GAS)	TEMPERATURE CLASS (DUSTS)	LAMPHOLDER	CABLE ENTRY	EMERGENCY UNIT	AUTONOMY	DETAIL
------	------	-------------------------	---------------------------	------------	-------------	----------------	----------	--------

FLUORESCENT LIGHTING FIXTURES FOR SINGLE AND TWIN LAMPS - POWER SUPPLY 110V / 260V - 50/60Hz

EVF18EL	1 x 18W	T5 T4	T 100°C T 135°C	G13	2 x 3/4"	-	-	A
EVF36EL	1 x 36W	T5 T4	T 100°C T 135°C	G13	2 x 3/4"	-	-	A
EVF58EL	1 x 58W	T5 T4	T 100°C T 135°C	G13	2 x 3/4"	-	-	A
EVF18BEL	2 x 18W	T5 T4	T 100°C T 135°C	G13	2 x 3/4"	-	-	B
EVF36BEL	2 x 36W	T5 T4	T 100°C T 135°C	G13	2 x 3/4"	-	-	B
EVF58BEL	2 x 58W	T5 T4	T 100°C T 135°C	G13	2 x 3/4"	-	-	B

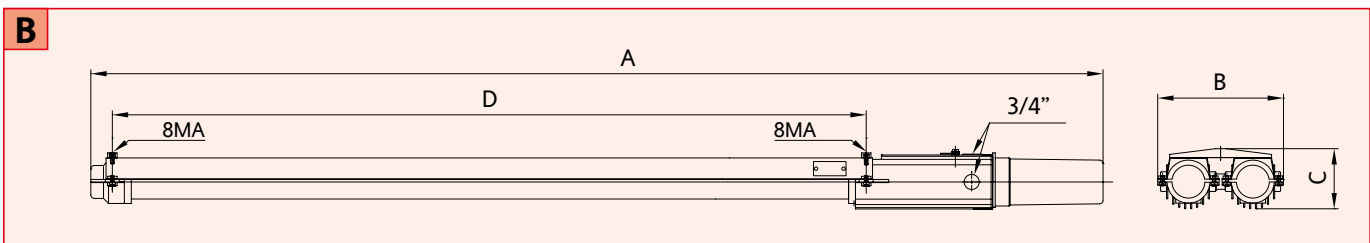
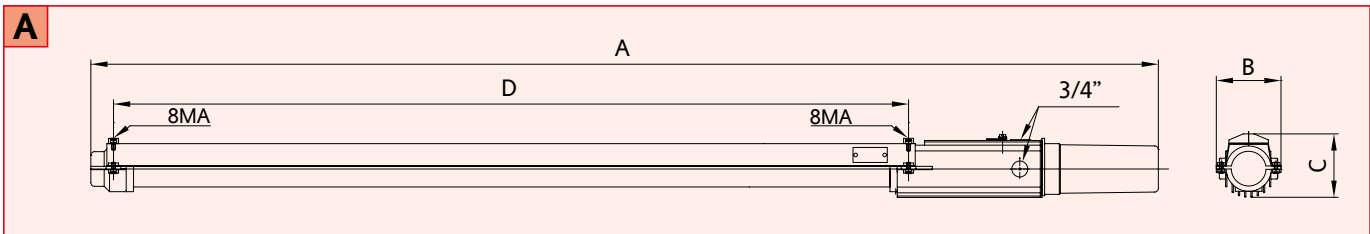
EMERGENCY FLUORESCENT LIGHTING FIXTURES FOR SINGLE AND TWIN LAMPS - POWER SUPPLY 110V / 260V - 50/60Hz

EVF18ELME	1 x 18W	T5 T4	T 100°C T 135°C	G13	1 x 3/4" 1 x 1-1/2"	4.8 V - 4Ah	2h	C
EVF36ELME	1 x 36W	T5 T4	T 100°C T 135°C	G13	1 x 3/4" 1 x 1-1/2"	4.8 V - 4Ah	2h	C
EVF58ELME	1 x 58W	T5 T4	T 100°C T 135°C	G13	1 x 3/4" 1 x 1-1/2"	4.8 V - 4Ah	2h	C
EVF18ELBE	2 x 18W	T5 T4	T 100°C T 135°C	G13	1 x 3/4" 1 x 1-1/2"	4.8 V - 4Ah	2h	D
EVF36ELBE	2 x 36W	T5 T4	T 100°C T 135°C	G13	1 x 3/4" 1 x 1-1/2"	4.8 V - 4Ah	2h	D
EVF58ELBE	2 x 58W	T5 T4	T 100°C T 135°C	G13	1 x 3/4" 1 x 1-1/2"	4.8 V - 4Ah	2h	D

EVF Technical features

CODE	A [mm]	B [mm]	C [mm]	D [mm]	WEIGHT [Kg]	CABLE ENTRY	DETAIL
EVF18EL	1000	96	95	602	4,50	2 x 3/4"	A
EVF36EL	1600	96	95	1202	5,70	2 x 3/4"	A
EVF58EL	1900	96	95	1490	7,00	2 x 3/4"	A
EVF18BEL	1000	200	95	602	9,00	2 x 3/4"	B
EVF36BEL	1600	200	95	1202	12,20	2 x 3/4"	B
EVF58BEL	1900	200	95	1490	14,70	2 x 3/4"	B

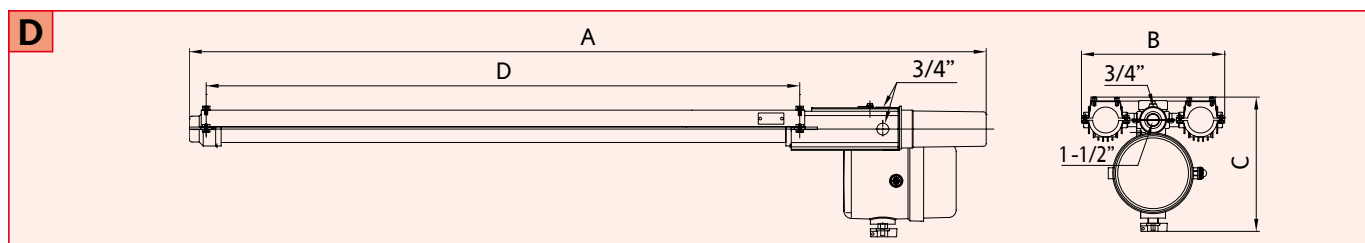
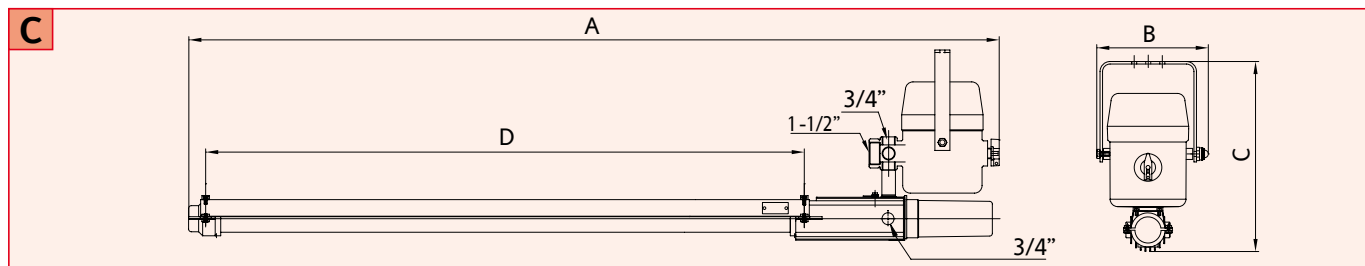
Reference details



EVF Technical features

CODE	A [mm]	B [mm]	C [mm]	D [mm]	WEIGHT [Kg]	CABLE ENTRY	DETAIL
EVF18ELME	1000	222	379	602	10,00	1 x 3/4" / 1 x 1-1/2"	C
EVF36ELME	1600	222	379	1202	12,00	1 x 3/4" / 1 x 1-1/2"	C
EVF58ELME	1900	222	379	1490	14,00	1 x 3/4" / 1 x 1-1/2"	C
EVF18ELBE	1000	287	265	602	16,00	1 x 3/4" / 1 x 1-1/2"	D
EVF36ELBE	1600	287	265	1202	19,00	1 x 3/4" / 1 x 1-1/2"	D
EVF58ELBE	1900	287	265	1490	21,00	1 x 3/4" / 1 x 1-1/2"	D

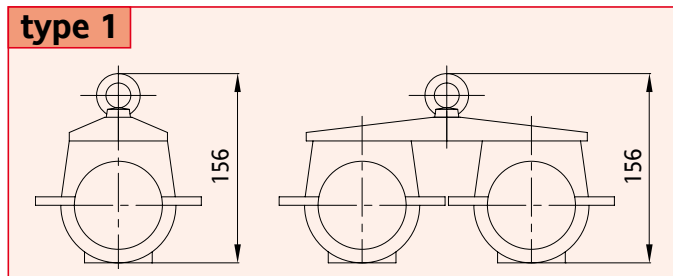
Reference details



EVF Installation and mounting details

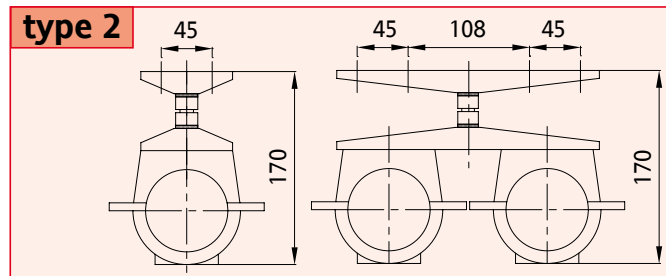
Pendant mounting

type 1



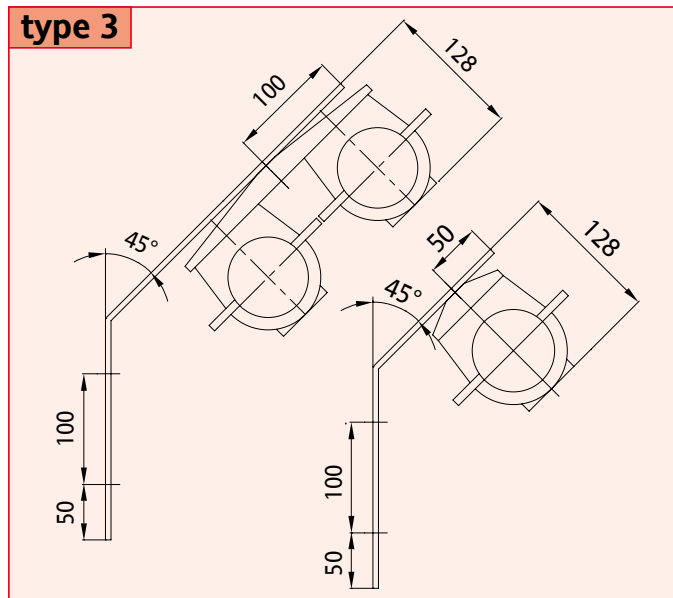
Ceiling mounting

type 2



Wall/structure mounting

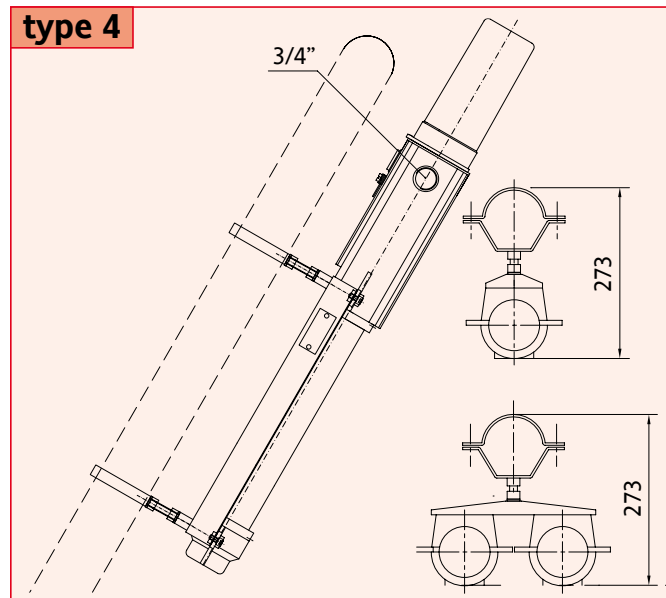
type 3



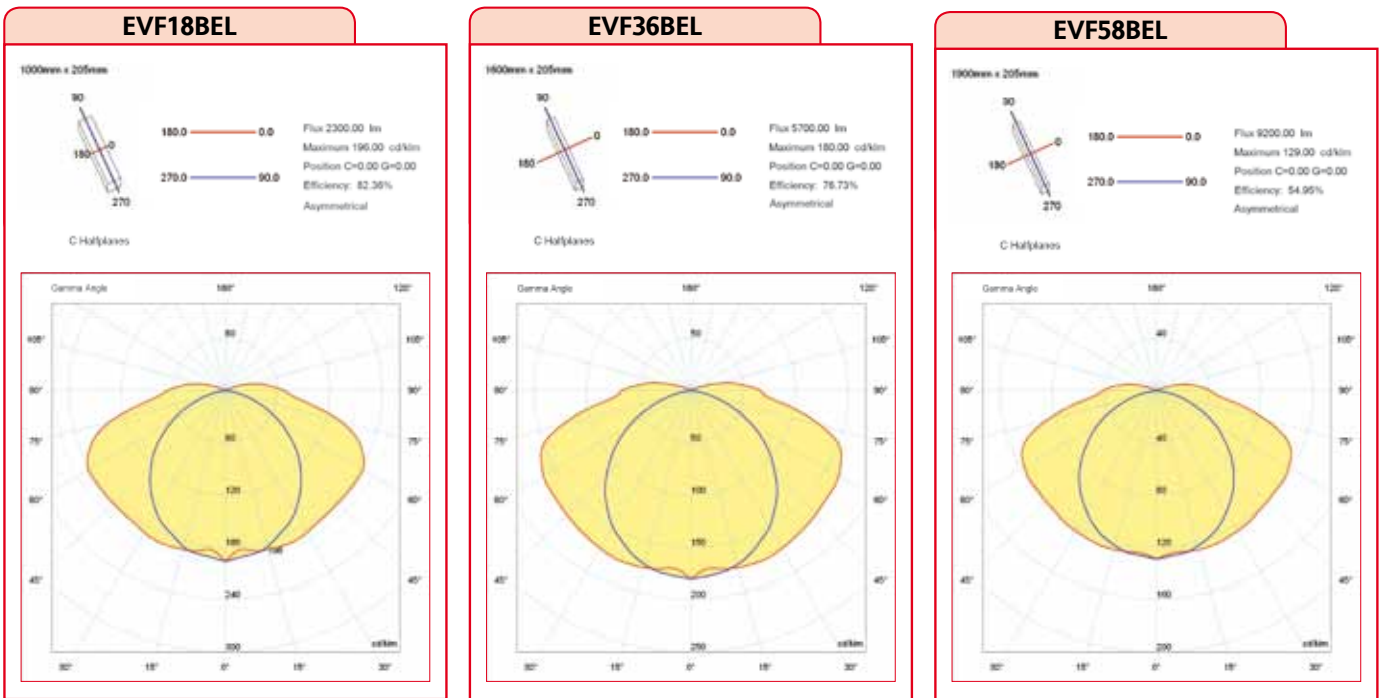
Pole mounting

Assemblig detail with pole (typical)

type 4



EVF Polar diagrams – photometric data



EVF On request accessories

CODE	DESCRIPTION	INSTALLATION	MATERIAL
GABBIAEVFF18	18W SIZE GALVANIZED STEEL WIRE PROTECTION GUARD		GALVANIZED STEEL
GABBIAEVFF36	36W SIZE GALVANIZED STEEL WIRE PROTECTION GUARD		GALVANIZED STEEL
GABBIAEVFF58	58W SIZE GALVANIZED STEEL WIRE PROTECTION GUARD		GALVANIZED STEEL
GABBIAEVFF18IX	18W SIZE STAINLESS STEEL WIRE PROTECTION GUARD		STAINLESS STEEL
GABBIAEVFF36IX	36W SIZE STAINLESS STEEL WIRE PROTECTION GUARD		STAINLESS STEEL
GABBIAEVFF58IX	58W SIZE STAINLESS STEEL WIRE PROTECTION GUARD		STAINLESS STEEL
D18IX	18W SIZE STAINLESS STEEL REFLECTOR		STAINLESS STEEL
D36IX	36W SIZE STAINLESS STEEL REFLECTOR		STAINLESS STEEL
D58IX	58W SIZE STAINLESS STEEL REFLECTOR		STAINLESS STEEL
20301.0151	SINGLE LAMP CEILING MOUNTING KIT C/W HARDWARE	TYPE 1	ALUM. LIGHT ALLOY
20301.0152	TWIN LAMP CEILING MOUNTING KIT C/W HARDWARE	TYPE 1	ALUM. LIGHT ALLOY
20301.0153	SINGLE LAMP POLE MOUNTING KIT (SIZE 1" DIA.) C/W HARDWARE	TYPE 4	GALVANIZED STEEL
20301.0155	SINGLE LAMP POLE MOUNTING KIT (SIZE 1 1/2" DIA.) C/W HARDWARE	TYPE 4	GALVANIZED STEEL
20301.0156	TWIN LAMP POLE MOUNTING KIT (SIZE 1 1/2" DIA.) C/W HARDWARE	TYPE 4	GALVANIZED STEEL
20301.0157	SINGLE LAMP POLE MOUNTING KIT (SIZE 2" DIA.) C/W HARDWARE	TYPE 4	GALVANIZED STEEL
20301.0158	TWIN LAMP POLE MOUNTING KIT (SIZE 2" DIA.) C/W HARDWARE	TYPE 4	GALVANIZED STEEL
20302.0128	SINGLE LAMP WALL/STRUCTURE MOUNTING KIT C/W HARDWARE	TYPE 3	GALVANIZED STEEL
20302.0128	TWIN LAMP WALL/STRUCTURE MOUNTING KIT C/W HARDWARE	TYPE 3	GALVANIZED STEEL
20301.0165	SINGLE LAMP PENDANT MOUNTING KIT C/W HARDWARE	TYPE 2	GALVANIZED STEEL
20301.0165	TWIN LAMP PENDANT MOUNTING KIT C/W HARDWARE	TYPE 2	GALVANIZED STEEL

REMARK:

Due to the development of the national and international specifications and of the technology, the above technical characteristics showed on this bulletin can be considered as binding on our confirmation only.