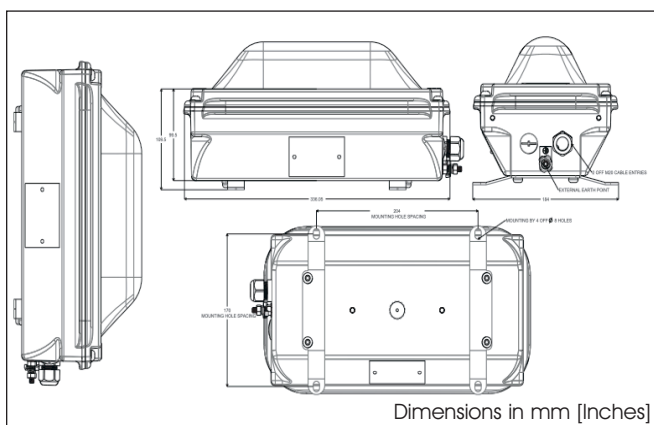




DuroSite® LED Emergency Shower Safe Luminaire



Certifications

- CE - Compliant
EN 55015:2006 / EN 61547:2009 / EN 60598-2-22:1999
- IEC 60068 salt spray testing - severity 1
- IK10 to EN 50102
- IP66 to EN 60529
- GOST R approved

Features & Benefits

- 5 year full performance warranty
- 360° visibility
- Instant on/off operation
- Mercury free, lead free
- LED indicator for fixture battery monitoring
- Resistant to shock and vibration
- L70 rated for >100,000 hours @ 45°C ambient
- Factory sealed

Application:

The Dialight DuroSite® LED Shower Safe Emergency Bulkhead luminaire has a rugged design to ensure long life and high reliability when used to identify emergency showers on large industrial sites. Specially designed optics and 360° viewing angle make this a high visibility light unit for this application. This self-contained maintained emergency luminaire offers a minimum of 3 hours of illumination equal to 10% of the standard output. It is ideally suited for explosive environments, mills, chemical plants and other hazardous environments where emergency shower areas are required. Dialight offers flush, angle, stanchion mounting bracket and adjustable mounting options for use with the DuroSite Bulkhead as well as a recessed housing.

Mechanical Information

Fixture Weight: 5.4 kg (11.9 lb)
Cable Entry options: All cable entries are drilled and tapped see ordering option

Electrical specifications

Operating Voltage: 230/240 VAC
Input Current: 110mA
Input Wattage: 24W
Battery: 3.6V 4Ah Nimh
Battery Life: 4 years
Battery duration: >3 hours
Operating Temp: 0°C to +50°C
 (-20°C versions available)
Harmonics: EN 61000-3-2: 2006
THD: <20% @ 230 VAC
Surge Protection: EN-61000-4-5
 1 kV line to line
 2 kV line to ground

Power Factor: > 0.9

Materials

Housing: Copper free aluminium cast
Finish: Light grey epoxy powder coated (RAL7001)
Lens: High Impact resistant polycarbonate
Mounting Brackets: 306 Stainless steel
Stanchion Brackets: Copper free LM6 aluminium cast
Configuration: Flush or 30° angle

Photometric Information

Dominant Wavelength 530.0 nm
 All values typical unless otherwise state



Ordering Codes for Standard Model 2 M20 Entries on 1 Side

Ordering Code:

Example: WE-0G4H-FLGD

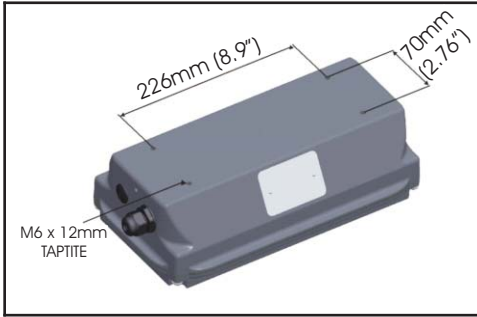
| Product Family | Optic | LED Colour | Voltage | LED qty | Bracket | Finish | Glazing |
|----------------|---------------|------------|-----------------------|---------|--|--------------------|------------------|
| WE | 0 = No Optics | G = Green | 4 = 230/240 VAC | 18 LEDs | A = Angle Bracket F = Flush Bracket N = No Bracket | LG = Light Grey | D = Dome Lens |

DuroSite® LED Emergency Shower Safe Luminaire

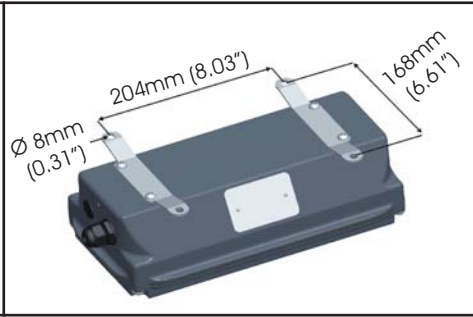
Mounting Options

Bulkhead with no bracket option

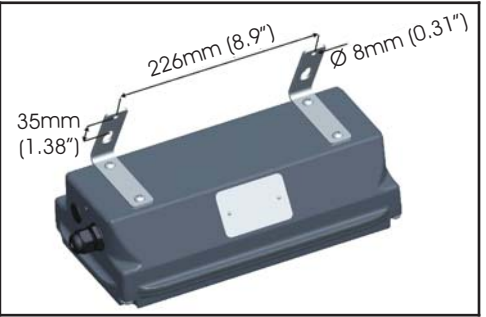
Recommended for use with below accessories



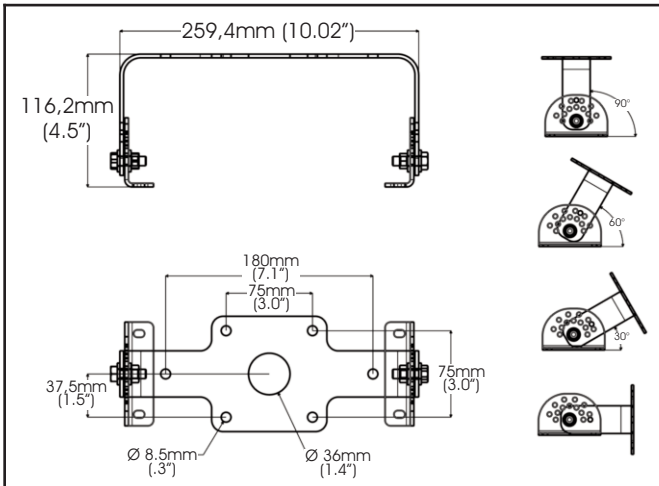
Bulkhead with flush mount bracket option



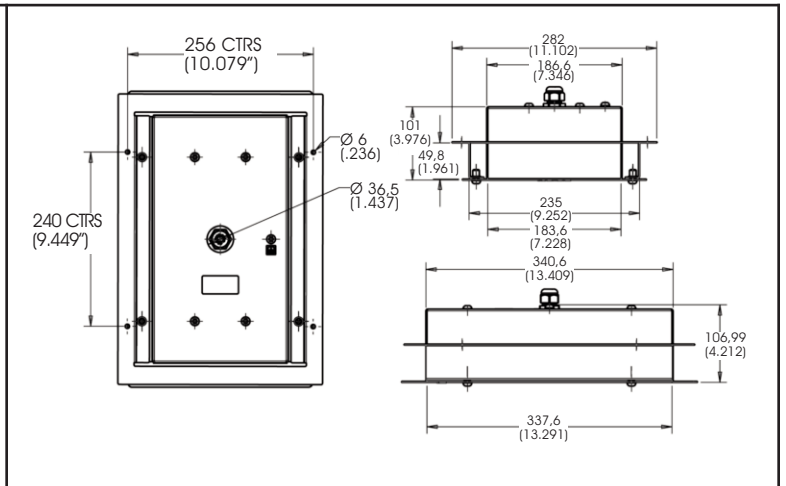
Bulkhead with 30 degree angle bracket option









Adjustable bracket



Recessed housing



Accessories

| | Part Number | Description |
|---|--------------|--|
|  | WPBRKTSSADJ | Adjustable bracket 306 stainless steel adjustable bracket 6x Ø 8.5mm (0.35") mounting holes <i>Recommended to be used with WEA2 or WEA4 versions.</i> |
|  | WPSTMBLG0022 | BSP threaded straight stanchion mounting bracket Copper free LM6 material with EPDM gasket applied and 2 M6 grub screws Stanchion mount bracket comes with BSP 1 1/2" threaded base that fits 1 1/2" pole. <i>Other threading options available, MOQ applies. Recommended to be used with WEA5 versions.</i> |
|  | WPSTMBLG0024 | NPT threaded straight stanchion mounting bracket Copper free LM6 material with EPDM gasket applied and 2 M6 grub screws Stanchion mount bracket comes with NPT 1 1/2" threaded base that fits 1 1/2" pole. <i>Other threading options available, MOQ applies. Recommended to be used with WEA5 versions.</i> |
|  | WPSTMBLG2522 | BSP threaded 25 degree stanchion mounting bracket Copper free LM6 material with EPDM gasket applied and 2 M6 grub screws Stanchion mount bracket comes with BSP 1 1/2" threaded base that fits 1 1/2" pole. <i>Other threading options available, MOQ applies. Recommended to be used with WEA5 versions.</i> |
|  | WPSTMBLG2524 | NPT threaded 25 degree stanchion mounting bracket Copper free LM6 material with EPDM gasket applied and 2 M6 grub screws Stanchion mount bracket comes with NPT 1 1/2" threaded base that fits 1 1/2" pole. <i>Other threading options available, MOQ applies. Recommended to be used with WEA5 versions.</i> |
|  | WPRECESSWH | Recessed housing welded aluminium construction with white powder coating (Ral 9010) <i>(refer to certificate schedule for ambient operating conditions)</i> |

Dialight reserves the right to make changes at any time in order to supply the best product possible. The most current version of this document will always be available at: www.dialight.com/Assets/Brochures_And_Catalogs/Illumination/MDEXSSWSEUHZC001.pdf

Warranty Statement: EXCEPT FOR THE WARRANTY EXPRESSLY PROVIDED FOR [HEREIN/ABOVE/BELOW], DIALIGHT DISCLAIMS ANY AND ALL OTHER WARRANTIES, EXPRESS OR IMPLIED, INCLUDING, WITHOUT LIMITATION, ANY WARRANTIES OF MERCHANTABILITY, FITNESS FOR A PARTICULAR PURPOSE, TITLE, AND NON-INFRINGEMENT.