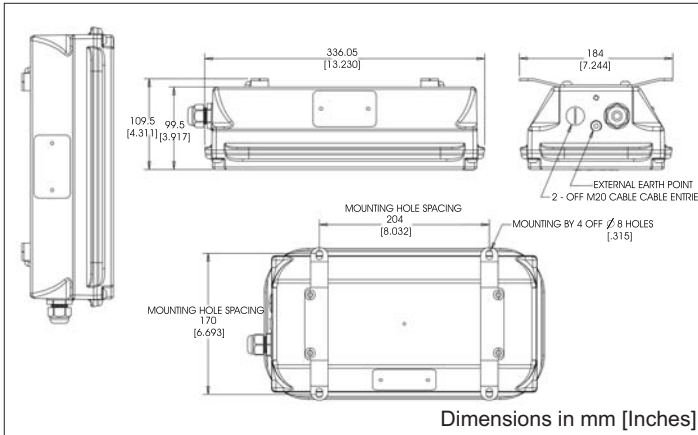




Patent #8,029,162

## SafeSite® LED Amber Bulkhead ATEX / IECEx Version



Dimensions in mm [Inches]

### Certifications & Ratings:

- ATEX Zones 1 & 21 and 2 & 22  
Certificate numbers: IECEx BAS 10.0051X  
Baseefa10ATEX0092X
- CE Compliant to: EN 55015-2006 & EN 61547
- Impact Rating to EN 50102: IK09
- IP66 / IP67
- RoHS compliant

### 11W / 22W

- Ex d e mb IIC T6 Gb, Ex tb IIIC T85°C Db, IP66/67, II 2GD
- ABS Assessed: #11-LD678508-1-PDA

### 34W

- Ex d e mb IIC T5 Gb, Ex tb IIIC T100°C Db, IP66/67, II 2GD

### Features & Benefits:

- L70 rated for > 100,000 hours @ 25°C ambient
- 5 year full performance warranty
- Emergency battery backup versions available
- Emergency exit sign kit and other sign options available
- Sandblasting cover protector available
- Class I Div. 2 versions available
- Instant on/off operation
- Mercury free, lead free
- Resistant to shock and vibration
- Plug and play - can be supplied complete with approved cable and plug
- Additional LED colors available upon request:  
Green - for emergency shower lighting  
Red - for emergency lighting

(MOQ applies for above colors, contact us at [www.dialight.com](http://www.dialight.com))



### Application:

The Dialight SafeSite® LED Bulkhead luminaire with its low profile, rugged design ensures long life and high reliability for a wide variety of Hazardous Area applications. Offered in 11W, 22W and 34W versions, it is ideally suited for oil & gas, chemical, petro-chemical and other potentially explosive industrial environments. Dialight offers flush, angle and adjustable mounting options for use with the SafeSite Bulkhead as well as a recessed housing approved for hazardous locations.

### Mechanical Information

Fixture Weight: 5.40kg (11.90 lbs)  
Cabling: All cable entries are drilled and tapped see ordering options

### Electrical specifications

Operating Voltage  
11W & 22W: 100-277V AC, 50/60 Hz or 24-48V DC  
34W: 100-277V AC, 50/60 Hz  
Total System Power Consumption: 11W / 22W / 34W  
Operating Temp: See temperature rating table  
Noise Requirements / EMC: FCC Title 47, Subpart B, Section 15, class B device. RF Immunity; 10V/m, 80MHz-1GHz  
Harmonics: EN 61000-3-2: 2006  
THD: <15% @ 120VAC  
<20% @ 277VAC  
Surge Protection: 1 kV line to line  
2 kV line to ground

Power Factor: > 0.9

### Materials

Housing: Copper free LM6 alum cast  
Finish: Light grey epoxy powder coated (RAL7001)  
Finish options (MOQ applies):  
Black epoxy powder coated (RAL9005)  
White epoxy powder coated (RAL9010)  
Lens: High impact resistant clear glass  
High impact resistant frosted glass  
Mounting Brackets: 316 stainless steel  
Stanchion Brackets: Copper free LM6 alum cast

### Photometric Information:

CRI (typ): 30 (range 26-40)  
Nmetres (typ): 590 (range 586-592)  
IES Files: Consult factory

All values typical unless otherwise stated  
All lumen values are typical (tolerance +/- 10%)

Temperature Ratings		
	Ambient Temperature Range T5 Temperature Code	Ambient Temperature Range T6 Temperature Code
11W	-40°C to +60°C (-40°F to +140°F)	-40°C to +50°C (-40°F to +122°F)
22W		
34W	-40°C to +50°C (-40°F to +122°F)	-40°C to +40°C (-40°F to +104°F)
With Recessed Housing		
	Ambient Temperature Range T5 Temperature Code	Ambient Temperature Range T6 Temperature Code
11W	-40°C to +55°C (-40°F to +131°F)	-40°C to +45°C (-40°F to +113°F)
22W		
34W	-40°C to +45°C (-40°F to +113°F)	-40°C to +35°C (-40°F to +95°F)

# SafeSite® LED Amber Bulkhead Fixture

## Ordering Information

Part Number	Voltage	Lens	Optic	Wattage
100-277V AC Versions				
WPA-2A3L-NLGC	100-277V AC	Clear Glass	Wide	34
WPA-4A3L-NLGC	100-277V AC	Clear Glass	Oval (35° X 55°)	34
WPA-5A3L-NLGC	100-277V AC	Clear Glass	Oval (55° X 35°)	34
WPA-2A3H-NLGC	100-277V AC	Clear Glass	Wide	22
WPA-4A3H-NLGC	100-277V AC	Clear Glass	Oval (35° X 55°)	22
WPA-5A3H-NLGC	100-277V AC	Clear Glass	Oval (55° X 35°)	22
WPA-2A3C-NLGC	100-277V AC	Clear Glass	Wide	11
WPA-4A3C-NLGC	100-277V AC	Clear Glass	Oval (35° X 55°)	11
WPA-5A3C-NLGC	100-277V AC	Clear Glass	Oval (55° X 35°)	11
24-48V DC Versions				
WPA-2A2H-NLGC	24-48V DC	Clear Glass	Wide	22
WPA-4A2H-NLGC	24-48V DC	Clear Glass	Oval (35° X 55°)	22
WPA-5A2H-NLGC	24-48V DC	Clear Glass	Oval (55° X 35°)	22
WPA-2A2C-NLGC	24-48V DC	Clear Glass	Wide	11
WPA-4A2C-NLGC	24-48V DC	Clear Glass	Oval (35° X 55°)	11
WPA-5A2C-NLGC	24-48V DC	Clear Glass	Oval (55° X 35°)	11

Angle bracket replace the 10th character with an **A** WPA-2A3L-NLGC becomes WPA-2A3L-**AL**GC

Flush bracket replace the 10th character with a **F** WPA-2A3L-NLGC becomes WPA-2A3L-**FL**GC

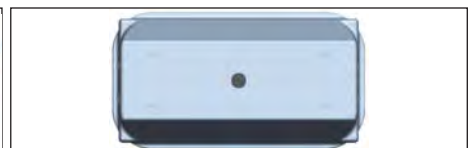
Frosted glass models replace the 13th character with a **F** WPA-2A3L-NLGC becomes WPA-2A3L-NLGC**F** (Frosted lens option will reduce lumen output by 6%)

## Gland Entry Options

Standard Option  
2 Entries One Side  
2 Entries One Side, 1 Entry Op-

posite Side  
Add a **E** to the end  
of the order code

Rear Entry  
Add an **R** to the end  
of the order code



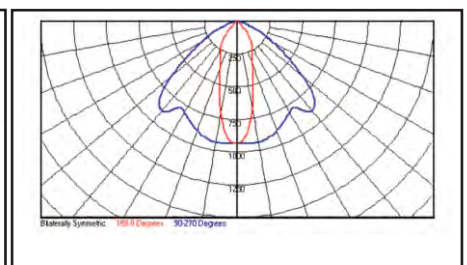
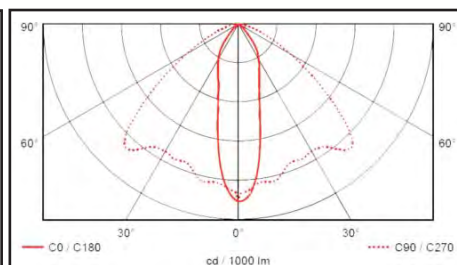
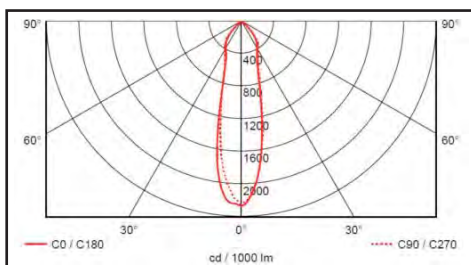
For gland size options and rear entry option please consult factory, MOQ applies.

## Polar Plots

Wide Optic







Oval Optic (35°x55°)

Oval Optic (55°x35°)



# SafeSite® LED Amber Bulkhead Fixture

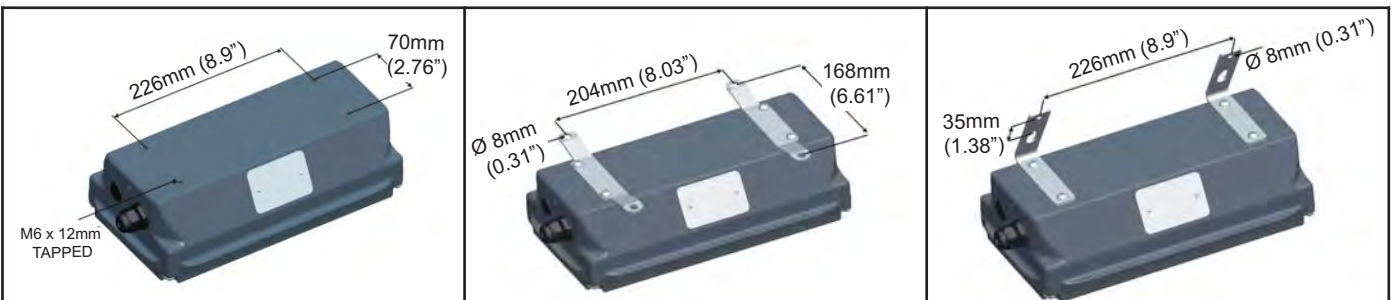
## Mounting Options & Accessories

	Part Number	Description	Kit Includes	WE2	WE4	WE5
	WP-BRKT-SS-ADJ	Adjustable bracket	Bracket to fixture hardware	•	•	
	WP-STMB-LG00-22	1 1/2" BSP threaded straight stanchion mounting bracket	EPDM gasket applied 2 M6 grub screws			•
	WP-STMB-LG00-24	1 1/2" NPT threaded straight stanchion mounting bracket	EPDM gasket applied 2 M6 grub screws			•
	WP-STMB-LG25-22	1 1/2" BSP threaded 25 degree stanchion mounting bracket	EPDM gasket applied 2 M6 grub screws			•
	WP-STMB-LG25-24	1 1/2" NPT threaded 25 degree stanchion mounting bracket	EPDM gasket applied 2 M6 grub screws			•
	WP-STMB-LG85-22	1 1/2" BSP threaded 85 degree stanchion mounting bracket	EPDM gasket applied 2 M6 grub screws			•
	WP-STMB-LG85-24	1 1/2" NPT threaded 85 degree stanchion mounting bracket	EPDM gasket applied 2 M6 grub screws			•
	WP-STMB-LG85-50	Non threaded bore 34mm diameter	EPDM gasket applied 2 M6 grub screws			•
	WP-STMB-LG85-60	Non threaded bore 38mm diameter	EPDM gasket applied 2 M6 grub screws			•
	WP-BRKT-LG-PF	Pipe and flush bracket	Bracket to fixture hardware	•	•	•
	WP-RECESS-WH	Recessed housing	Recessed housing Bracket to fixture hardware	•	•	•

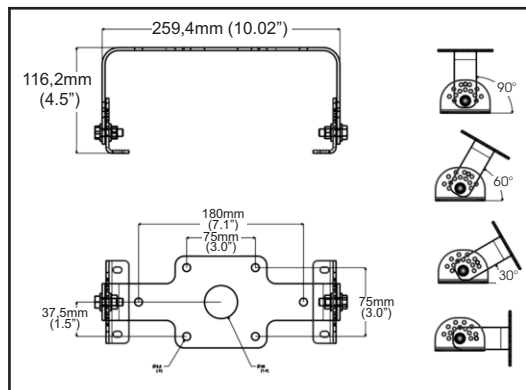
Without Bracket

Flush Bracket

30° Angle Bracket



Adjustable bracket



Dialight reserves the right to make changes at any time in order to supply the best product possible. The most current version of this document will always be available at: [www.dialight.com/Assets/Brochures\\_And\\_Catalogs/Illumination/MDTFHZSABEUX001.pdf](http://www.dialight.com/Assets/Brochures_And_Catalogs/Illumination/MDTFHZSABEUX001.pdf)  
 Warranty Statement: EXCEPT FOR THE WARRANTY EXPRESSLY PROVIDED FOR [HEREIN/ABOVE/BELOW], DIALIGHT DISCLAIMS ANY AND ALL OTHER WARRANTIES, EXPRESS OR IMPLIED, INCLUDING, WITHOUT LIMITATION, ANY WARRANTIES OF MERCHANTABILITY, FITNESS FOR A PARTICULAR PURPOSE, TITLE, AND NON-INFRINGEMENT.