



**DuroSite® Series LED High Bay - CE Approved**  
for Indoor and Outdoor Industrial Applications



# DuroSite® LED High Bay



## Features & Benefits

- L70 rated for > 100,000 hours @ 25°C ambient
- 5 year full performance warranty standard
- 10 year full performance warranty available (17,500 - 25,000 lumen models only)
- Up to 102lm/W
- Significant energy savings
- Instant on/off
- Maintenance free
- Mercury free
- No UV or IR
- Produces minimal heat compared to traditional fixtures
- Reflector based optics for precise light control
- Resistant to shock and vibration
- Temperature compensation technology for long life
- Copper free aluminium
- Typical payback < 2 years

## About Dialight

Dialight (LSE: DIA.L) is leading the energy efficient LED lighting revolution around the world for industrial and hazardous areas as well as transportation and infrastructure applications. For 40 years it has been committed to the development of LED lighting solutions that enable organizations to vastly reduce energy use and maintenance needs, improve safety, ease disposal and reduce CO2 emissions.

## Value Proposition

- 10+ years of maintenance free lighting
- Improve safety, color quality
- Improve temperature rating (T-rating)
- Lower total cost of ownership, quick ROI
- Lower energy consumption by > 50%
- Significantly reduce CO2 emissions

## History at a Glance

- 1938 → Dialight founded in Brooklyn, NY
- 1971 → LED Circuit Board Indicator
- 1994 → LED Transit Vehicle Signals
- 1995 → LED Traffic Signals
- 2000 → FAA certified LED Obstruction Lights
- 2007 → LED Lighting for Hazardous Locations
- 2009 → LED High Bay Fixtures
- 2012 → Full performance 10-year warranty

## SafeSite®

- LED lighting for hazardous locations

## DuroSite®

- LED lighting for general Industrial locations

## Vertically Focused

### Regulated Primary Markets

- Oil, Gas & Petrochemical
- Power Generation
- Mining
- Chemical
- Pharmaceutical
- Water & Sewage
- Food & Beverage

### Secondary Markets

- Manufacturing
- Warehousing
- Cold Storage
- Data Centers

## Typical Applications

- Food and Beverage
- Heavy Industrial
- Manufacturing
- Pulp and Paper
- Fuel Pump Canopy
- Cold Storage
- Warehouse

View the full case studies at:

**Martisa** - [www.dialight.com/assets/brochures\\_and\\_catalogs/Illumination/mdexbrcx001.pdf](http://www.dialight.com/assets/brochures_and_catalogs/Illumination/mdexbrcx001.pdf)

**Gilbertson & Page** - [www.dialight.com/assets/brochures\\_and\\_catalogs/Illumination/mdexmognp001.pdf](http://www.dialight.com/assets/brochures_and_catalogs/Illumination/mdexmognp001.pdf)

**MMD Shipping** - [www.dialight.com/news/details/mmd\\_shipping](http://www.dialight.com/news/details/mmd_shipping)

**Paulaner** - [www.dialight.com/news/details/paulaner\\_led\\_high\\_bay\\_case\\_study](http://www.dialight.com/news/details/paulaner_led_high_bay_case_study)

**Rexam** - [www.dialight.com/Assets/Brochures\\_And\\_Catalogs/Illumination/MDEXMRXMX001.pdf](http://www.dialight.com/Assets/Brochures_And_Catalogs/Illumination/MDEXMRXMX001.pdf)

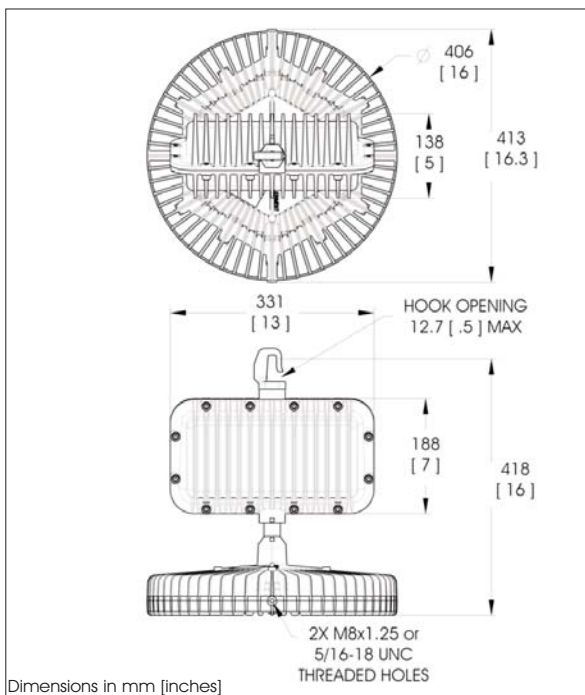


Significantly smaller than traditional High Bay fixtures

Complete your own Return on Investment calculation at: [www.dialight.com/tcoCalculator/Durosite\\_HighBay](http://www.dialight.com/tcoCalculator/Durosite_HighBay)



## DuroSite® LED High Bay - CE 25,000 Lumen Version



### Features & Benefits

- L70 rated for >100,000 hours @ 25°C ambient
- 10 year full performance warranty
- Instant on/off operation
- Universal power supply
- Superior colour rendition index compared to HPS, LPS, MV
- Mercury free
- Resistant to shock and vibration
- Temperature compensation technology for longer life
- Factory sealed

### Certifications & Ratings:

- CE - compliant  
EN 55015:2006 / EN 61547:2009 / EN 60598:2008
- EN 62471:2008
- IK05 to EN50102
- IP 66 to EN60529

### Application:

The first of its kind, the Dialight DuroSite® LED High Bay luminaire was designed specifically to replace conventional lighting in a wide variety of industrial applications, both indoor and outdoor. Now providing 25,000 lumens, the High Bay is a great fit for applications such as high bay lighting, warehouses, factories, cold stores, restricted access areas, service areas and other applications.

All of Dialight's long life LED luminaires are designed to meet the most demanding specification criteria while offering maximum energy savings, reduced maintenance costs, and a superior quality of light. Hazardous area versions are also available.

### Mechanical Information

Fixture Weight:	13.6 kg (30 lbs)
Shipping Weight:	15.88 kg (35 lbs)
Mounting:	Hook For other options consult factory

Cabling: 3m (10') PVC Power Cord

### Electrical specifications

Operating Voltage:	100-277V AC
Total System Power Consumption:	See table
Operating Temp:	-40°C to +65°C (-40°F to +149°F)
Harmonics:	EN 61000-3-2
Surge Protection:	EN 61000-4-5 10kV line to ground 10kV line to line
THD:	<5% (120VAC) <10% (230/240VAC) <12% (277VAC)
Power Factor:	> 0.9

### Construction

Housing:	Copper free aluminium
Finish:	Light grey polyester powder coated
Lens:	Tempered Glass

### Photometric Information

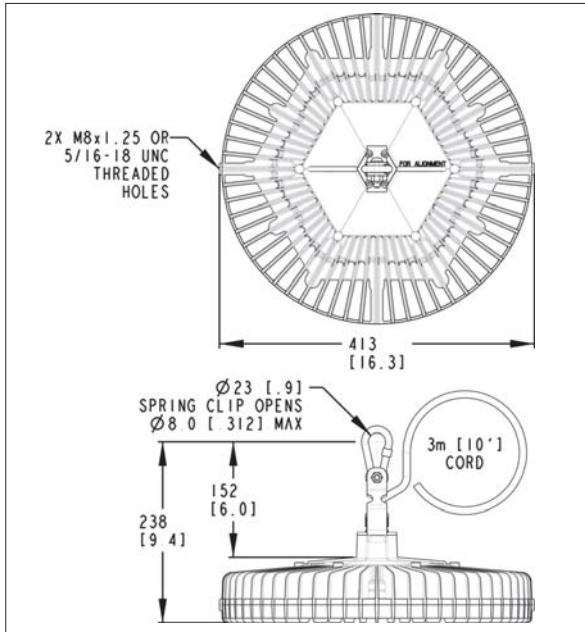
CRI:	70+ or 80+ options
CCT:	5,000K (cool white) 4,000K (neutral white)

All values typical unless otherwise stated  
All Lumen Values are typical +/- 10%





## DuroSite® LED High Bay - CE 10,000 to 17,000 lumen versions



### Certifications & Ratings:

- CE - compliant  
EN 55015:2006 / EN 61547:2009 / EN 60598:2008
- EN 62471:2008
- ABS Design Assessed: # 12-HS950618-PDA
- Gost R approval
- IEC60068 salt spray testing- severity 1
- IK10 to EN50102 (polycarbonate lens)
- IK06 to EN50102 (Acrylic lens)
- IK05 to EN50102 (Glass lens)
- IP66 to EN60529

### Features and Benefits (Only for Standard Occupancy Models)

- No additional electrical connections required for installation
- Once installed, the lights can be programmed and set up from the ground using the remote control (sold separately)
- Allows the user to maximise their energy savings by having the lights on only when they are needed
- Consult factory for recommended installation guidelines and applications
- Senses heat movement across the sensing zones - consult factory for more details

### Application:

The first of its kind, the Dialight DuroSite® LED High Bay luminaire was designed specifically to replace conventional lighting in a wide variety of industrial applications, both indoor and outdoor. Its low profile, light weight design and versatile mounting options make it ideal for many applications such as high bay lighting, warehouses, factories, cold stores, restricted access areas, service areas and other applications with mounting heights greater than 4 meters.

All of Dialight's long life LED luminaires are designed to meet the most demanding specification criteria while offering maximum energy savings, reduced maintenance costs, and a superior quality of light. Hazardous area versions are also available.

### Mechanical Information

Fixture Weight:	8 kg (18 lbs)
Shipping Weight:	11kg (24 lbs)
Mounting:	Hook or Swivel bracket (supplied separately)
Cabling:	3m (10') PVC Power Cord (Junction box version also available)

### Electrical specifications

Operating Voltage:	100-277V AC
Total System Power Consumption:	See table
Operating Temp:	-40°C to +65°C (-40°F to +149°F)
Harmonics:	EN 61000-3-2
Surge Protection:	EN 61000-4-5 6kV line to line 6kV line to ground

THD:	<5% (120VAC) <10% (230/240VAC) <12% (277VAC)
------	--

Power Factor:	> 0.9
---------------	-------

### Construction

Housing:	Copper free aluminium
Finish:	Light grey powder coated
Lens:	Acrylic (PMMA) Polycarbonate (PC) Tempered Glass

### Photometric Information

CRI:	70+ and 80+ options
CCT:	5,650K (cool white) 4,300K (neutral white)

All values typical unless otherwise stated  
All Lumen Values are typical +/- 10%

# DuroSite® LED High Bay Fixture Options and Accessories

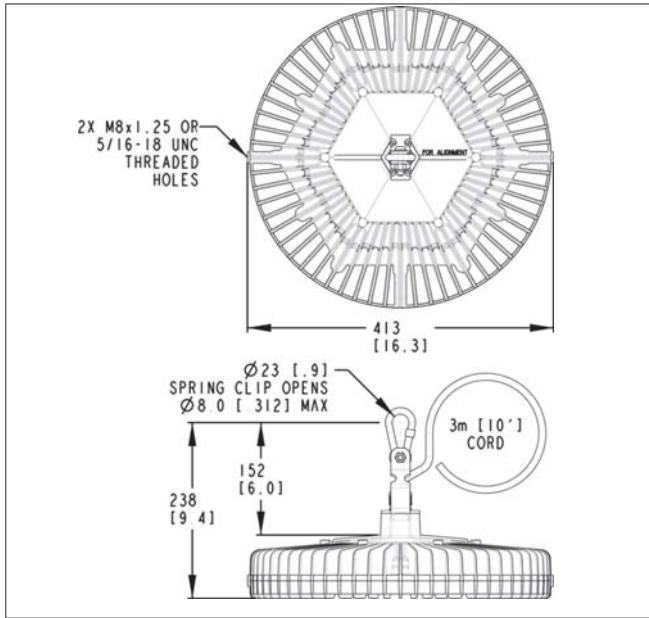
## Variable Dimming Version: 0-10 VDC



Dialight offers a series of High Bay products with ACTIVE Dimming. Dimming permits the user to select a specific light output and power consumption to meet their requirements. The reduction in light output and power consumption are approximately proportional. Reducing the light output by 50% will reduce the power consumption by 50%. LEDs are particularly well suited for dimming as compared to other industrial light sources.

### STEP Dimming Mode

The variable dimming High Bays may also be configured to operate in a single STEP Dimming configuration. When the dimming control conductors are connected together, the light output will be reduced to approximately 20% of the maximum light output. The total fixture power consumption will also be reduced to approximately 20% (30 W). Connecting the leads together can be accomplished with a common wall switch.



### Features and Benefits

- 3 meter, 5 core PVC cable pre-installed
- Multiple High Bays can be connected to the same dimmer
- May also be configured to operate in a single STEP Dimming configuration, please consult technical department

Mechanical, Electrical and Photometric information is the same on page 1 except where detail is provided

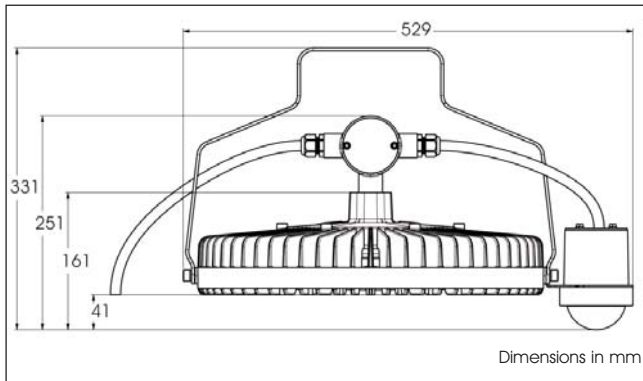
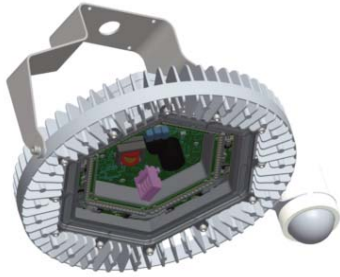
**Variable Dimming Cable:** Dimming connections included in factory installed 5 core cable. Multiple high bays can be connected to the same dimmer, consult dimming instructions and manufacturer

**Variable Dimming Control:** 0-10 VDC active

**Typical Dimming Range:** 10 VDC = 100% light output  
0 VDC = 20% light output and power consumption

# DuroSite® LED High Bay Fixture

## Automatic daylight dimming and occupancy sensor version



### Features and Benefits

- No additional electrical connections required
- Once installed, the lights can be programmed and set up from the ground using the remote control (sold separately)
- Allows user to maximise their energy savings by having the lights on only when needed
- Senses heat movement across the sensing zones - consult factory for more details

Mechanical, Electrical and Photometric information is the same as on page 1 except where detail is provided

Weight:	8.4kg (18.5lbs)
Sensor Mounting:	Cable input 3 metre 3 core cable fitted
Sensor Timing	
Non dimming version:	1,5,10,15 and 30mins.
Dimming version:	On, Off, 1, 10, 30 and 60 mins.
Sensor operation:	Dependant on application and height, please consult technical department
Operating voltage:	230/240V AC only
Operating Temperature:	-30°C + 50°C (-22°F + 122°F)
IP Rating:	IP40 to EN60529

# DuroSite® LED High Bay Fixture

## Ordering Information

Part Number	Initial Fixture Lumens	Wattage	Lumens Per Watt	Lens		Optical Pattern		Variable Dimming
				Clear	Diffused	Circular	Aisle	
10 Year Warranty								
HLGC4KN-EUH-10YR	25,000	270	93	Tempered Glass		•		
HLGC4KN-EUDH-10YR	25,000	270	93	Tempered Glass		•		•
HBGCMPEUH-10YR	17,500	172	102	Tempered Glass		•		
HBGCMPEUDH-10YR	17,500	172	102	Tempered Glass		•		•
HBLCMPEUH-10YR	15,000	172	87		Polycarbonate	•		

Part Number	Initial Fixture Lumens	Wattage	Lumens Per Watt	Lens		Optical Pattern		
				Clear	Diffused	Circular	Aisle	
5 Year Warranty								
HBGCMPEUH	17,500	172	102	Tempered Glass		•		
HBGC4PEUH	14,500	161	90	Tempered Glass		•		
HBEC4PEUH	13,500	161	84	Tempered Glass			•	
HBEC4NEUH	11,750	146	80	Tempered Glass			•	
HB1C4NEUH	11,500	146	79	Acrylic		•		
HB5C4NEUH	10,750	146	74		Acrylic	•		
HB0C4MEUH	10,750	146	74	Polycarbonate		•		
HB2C4MEUH	10,000	146	68		Polycarbonate	•		
HB7C4MEUH	10,000	146	68		Polycarbonate		•	
Occupancy Sensor High Bays								
HB1C4NEUTOS	11,500	146	79	Acrylic		•		
HB5C4NEUTOS	10,750	146	74		Acrylic	•		
HB0C4MEUTOS	10,750	146	73	Polycarbonate		•		
HB2C4MEUTOS	10,000	146	68		Polycarbonate	•		
HB7C4MEUTOS	10,000	146	68		Polycarbonate		•	
Variable Dimming High Bays								
HBGCMPEUDH	17,500	172	102	Tempered Glass		•		
HBGC4PEUDH	14,500	161	90	Tempered Glass		•		
HBEC4PEUDH	13,500	161	83	Tempered Glass			•	
HBEC4NEUDH	11,750	146	80	Tempered Glass		•		
HB1C4NEUDH	11,500	146	79	Acrylic		•		
HB5C4NEUDH	10,750	146	74		Acrylic	•		
HB0C4MEUDH	10,750	146	73	Polycarbonate		•		
HB2C4MEUDH	10,000	146	68		Polycarbonate	•		
HB7C4MEUDH	10,000	146	68		Polycarbonate		•	
Occupancy Sensor with Dimming High Bay								
HB1C4NEUTOSD	11,500	146	79	Acrylic		•		
HB5C4NEUTOSD	10,750	146	74		Acrylic	•		
HB0C4MEUTOSD	10,750	146	73	Polycarbonate		•		
HB2C4MEUTOSD	10,000	146	68		Polycarbonate	•		
HB7C4MEUTOSD	10,000	146	68	Tempered Glass			•	

**Notes for all versions:**

<sup>1</sup> Part numbers listed in the above table are cool white. For neutral white versions replace the 4th character with N Ex: HB1C4N-EUH becomes HB1N4N-EUH

<sup>2</sup> Part numbers listed in the above table are 70 CRI cool white. For 80 CRI cool white versions replace the 4th character with B Ex: HB1C4N-EUH becomes HB1B4N-EUH. For 80 CRI neutral white versions replace the 4th character with an M Ex: HB1C4N-EUH become HB1M4N-EUH. Choosing 80 CRI will decrease the lumen output by 20%





**Notes for standard versions only:**

<sup>3</sup> Numbers listed in the tables above come with a flat lens. These can be ordered with a polycarbonate dome lens; replace 3rd character with an L Ex: HB1C4N-EUH becomes HBLC4N-EUH

<sup>4</sup> For junction box models; add a J after the 2nd character Ex: HB1C4N-EUH becomes HB<sup>J</sup>1C4N-EUH (not applicable for 25,000 High Bay)

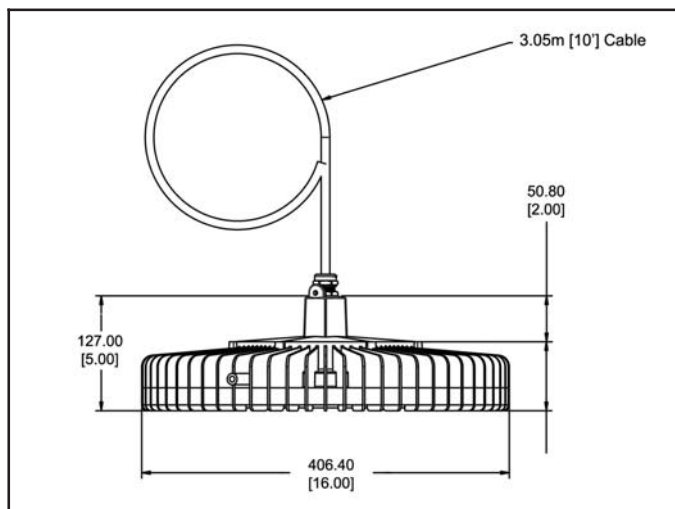
# DuroSite® Series LED High Bay Fixture

## Accessories

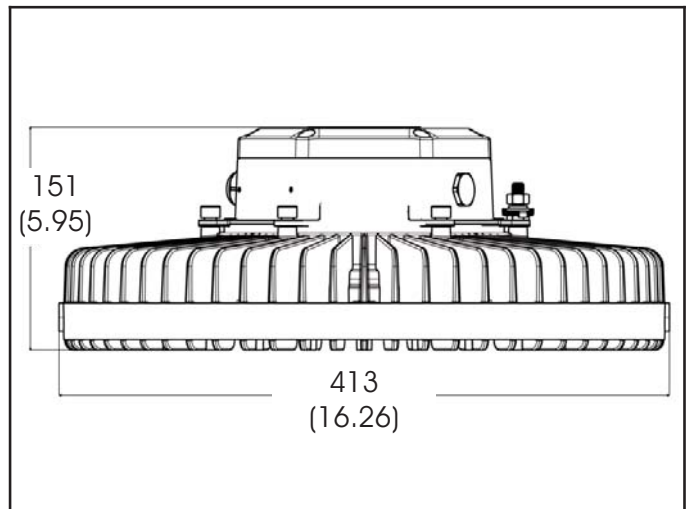
	Part Number	Description	Kit Includes	Compatibility	
				8,500 -17,500lm	25,000lm
	HBXW3	Swivel Bracket Grey powder coated aluminium (Interior or exterior use)	Swivel Bracket Bracket to fixture hardware	•	
	HLXW3	Swivel Bracket	Swivel Bracket Bracket to Fixture Hardware		•
	HBXGS-10	Glare Shield - sets of 10 Grey (RAL7001) powder coated spun aluminium (Interior use only, for use with flat lens options)	Aluminium shield and securing hardware	•	•
	HBXSBK	Sand blast kit (flat lens)	Bracket and flat lens	•	•
	HBXSBL	Sacrificial flat Lens	Replacement flat lens	•	•
	HBXSBDK	Sand blast kit (dome lens)	Bracket and dome lens	•	•
	HBXSBDL	Sacrificial dome Lens	Replacement dome lens	•	•

## Mechanical Drawings

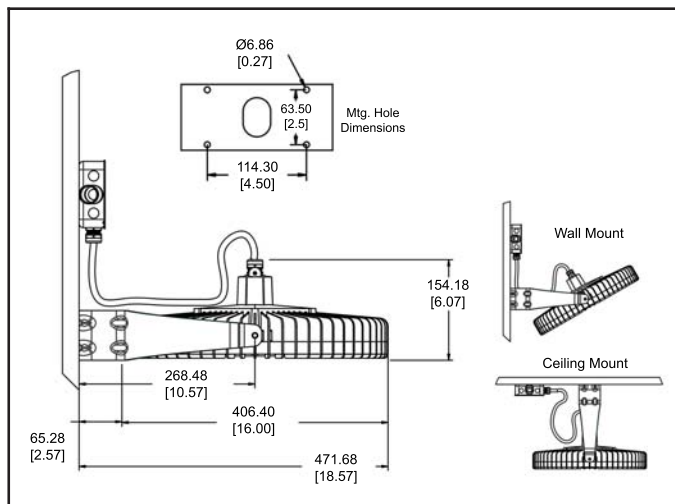
HBXXXX-EUH (Standard models)



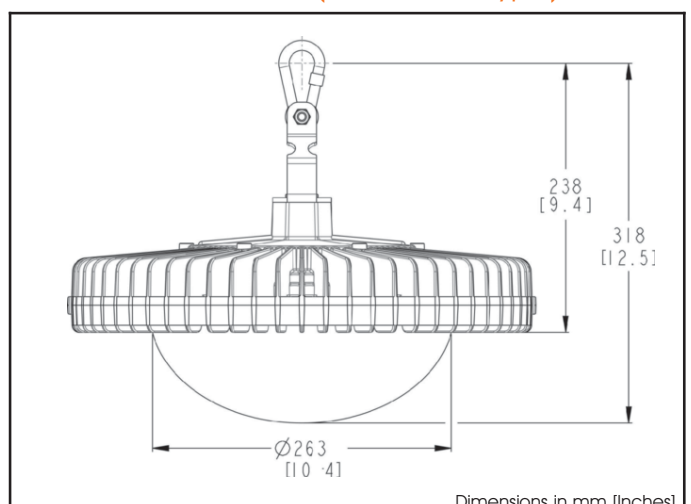
HBJXXXX-EUH (Junction box types)



HBXW3



HBLXXX-EUH (Dome lens type)





# DuroSite® Series LED High Bay Fixture

## Mounting Height

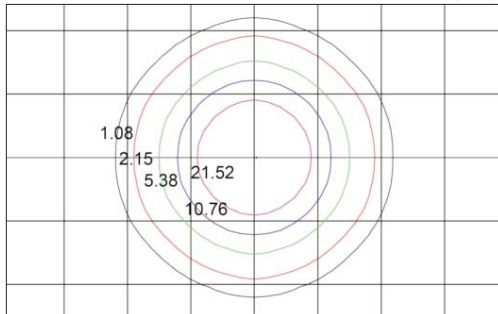
Lumens	Wattage	lm/W	Mounting Heights
25,000	270	93	
17,500	172	102	
14,500	153	95	
12,000	146	82	
10,000	137	73	
8,500	123	69	

Iso-Illuminance

Candela Plots

### 25,000 lumen model

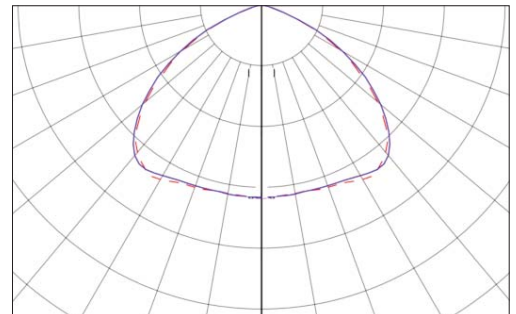
HLGC4KN-EUH-10YR - Circular Pattern (lux)



Examples shown is mounted at 12m  
Distance of grid is equal to Mounting Height  
Values stated are in lux

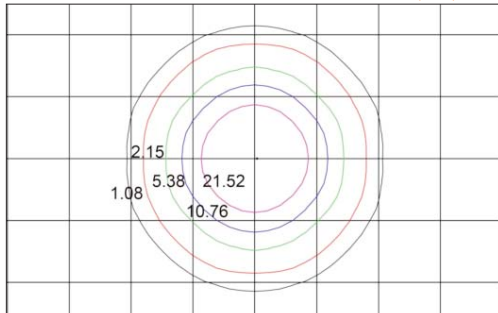
Mounting Height	Multiplier
3m	16.000
5m	7.111
6m	4.000
8m	2.560
9m	1.778
11m	1.306
12m	1.000
14m	0.790
15m	0.640

HLGC4KN-EUH-10YR - Circular Pattern



### 17,500 lumen model

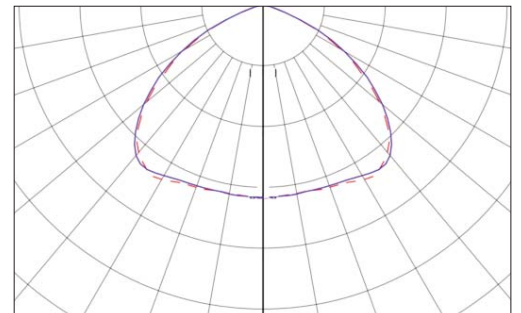
HBGCMP-EUH - Circular Pattern (lux)



Examples shown is mounted at 11m  
Distance of grid is equal to Mounting Height  
Values stated are in lux

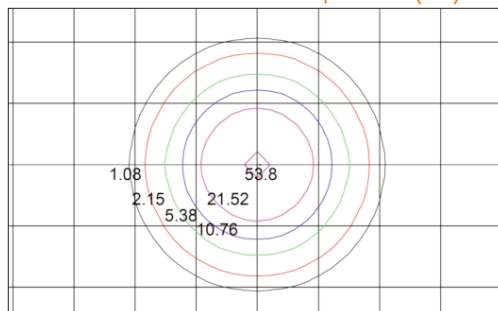
Mounting Height	Multiplier
3m	12.250
5m	5.44
6m	3.063
8m	1.960
9m	1.361
11m	1.000
12m	0.766
14m	0.605
15m	0.490

HBGCMP-EUH - Circular Pattern



### 14,500 lumen model

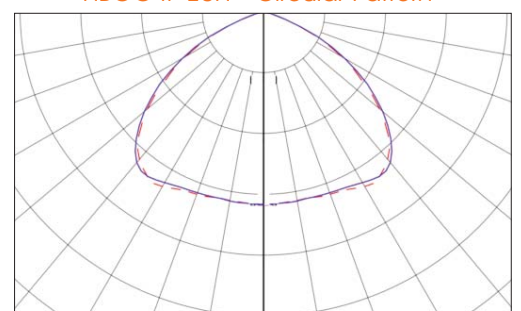
HBGC4P-EUH - Circular pattern (lux)



Examples shown is mounted at 9m  
Distance of grid is equal to Mounting Height  
Values stated are in lux

Mounting Height	Multiplier
3m	9.000
5m	4.000
6m	2.250
8m	1.440
9m	1.000
11m	0.735
12m	0.563
14m	0.444
15m	0.360

HBGC4P-EUH - Circular Pattern



# DuroSite® Series LED High Bay Fixture

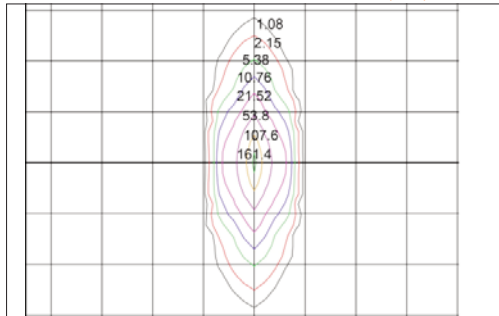
## Measurement Data

### Iso-Illuminance

### Candela Plots

## 13,500 lumen model

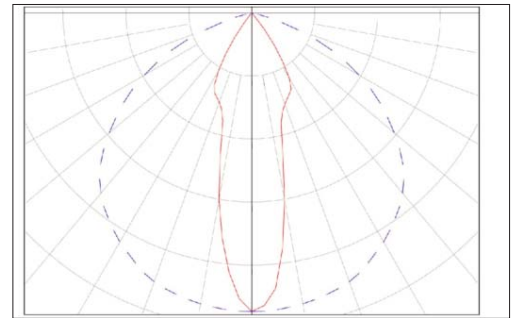
HBEC4P-EUH - Aisle Pattern (lux)



Examples shown is mounted at 9m  
Distance of grid is equal to Mounting Height  
Values stated are in lux

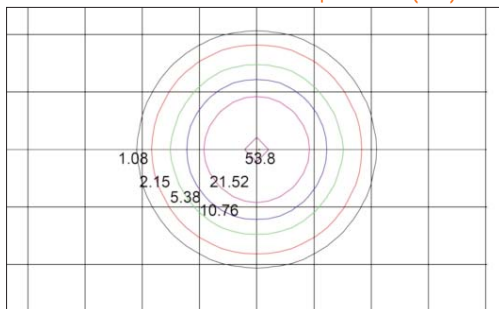
Mounting Height	Multiplier
3m	9.000
5m	4.000
6m	2.250
8m	1.440
9m	1.000
11m	0.735
12m	0.563
14m	0.444
15m	0.360

HBEC4P-EUH - Aisle Pattern



## 10,750 lumen model

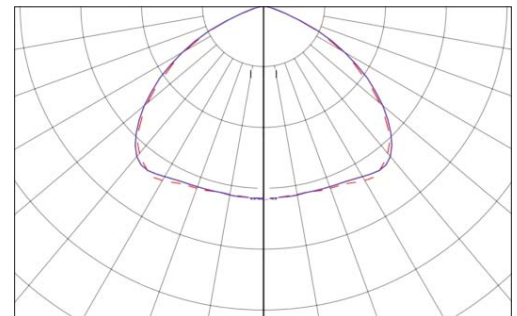
HB0C4M-EUH- Circular pattern (lux)



Examples shown is mounted at 8m  
Distance of grid is equal to Mounting Height  
Values stated are in lux

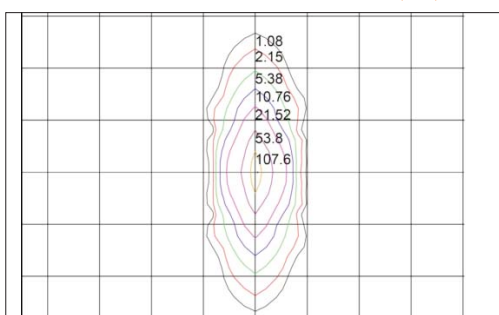
Mounting Height	Multiplier
3m	6.250
5m	2.778
6m	1.563
8m	1.000
9m	0.694
11m	0.510
12m	0.391
14m	0.309
15m	0.250

HB0C4M-EUH - Circular Pattern



## 10,000 lumen model

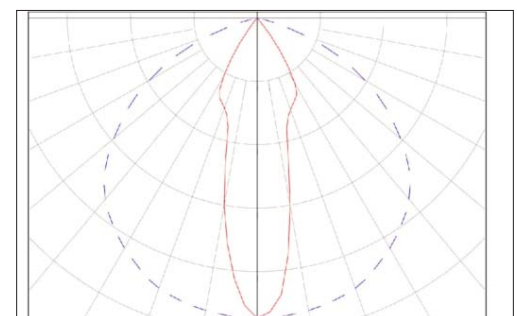
HB7C4M-EUH - Aisle Pattern (lux)



Examples shown is mounted at 8m  
Distance of grid is equal to Mounting Height  
Values stated are in lux

Mounting Height	Multiplier
3m	6.250
5m	2.778
6m	1.563
8m	1.000
9m	0.694
11m	0.510
12m	0.391
14m	0.309
15m	0.250

HB7C4M-EUH - Aisle Pattern



# DuroSite® Series LED High Bay Fixture

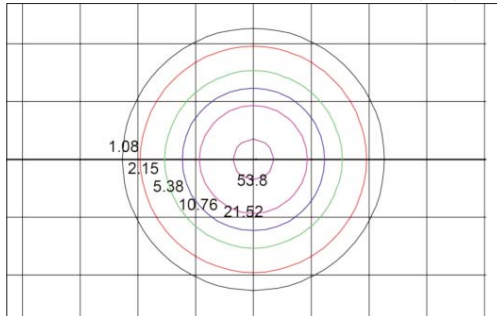
## Measurement Data

Iso-Illuminance

Candela Plots

### 10,000 lumen model

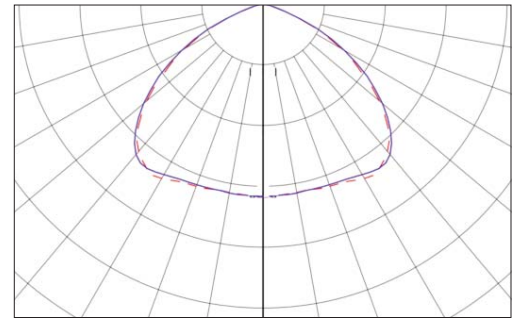
HB2C4M-EUH - Circular Pattern (lux)



Examples shown is mounted at 6m  
Distance of grid is equal to Mounting Height  
Values stated are in lux

Mounting Height	Multiplier
3m	4.000
5m	1.778
6m	1.000
8m	0.640
9m	0.444
11m	0.327
12m	0.250
14m	0.198
15m	0.160

HB2C4M-EUH - Circular Pattern



Dialight reserves the right to make changes at any time in order to supply the best product possible. The most current version of this document will always be available at: [www.dialight.com/Assets/Brochures\\_And\\_Catalogs/Illumination/MDEXHBEU001.pdf](http://www.dialight.com/Assets/Brochures_And_Catalogs/Illumination/MDEXHBEU001.pdf)

Warranty Statement: EXCEPT FOR THE WARRANTY EXPRESSLY PROVIDED FOR [HEREIN/ABOVE/BELOW], DIALIGHT DISCLAIMS ANY AND ALL OTHER WARRANTIES, EXPRESS OR IMPLIED, INCLUDING, WITHOUT LIMITATION, ANY WARRANTIES OF MERCHANTABILITY, FITNESS FOR A PARTICULAR PURPOSE, TITLE, AND NON-INFRINGEMENT.

**DuroSite® LED High Bay - CE Approved**  
for Indoor and Outdoor Industrial Applications



[www.dialight.com](http://www.dialight.com)

